

# Wózek narzędziowy z wyposażeniem

Model: 7 Szuflad – 275 sztuk narzędzi

## W7-Drawer Tool Trolley - 275PCS Contents

### 1st DRAWER



GAAT0402	GAAT0802	GAAT0406	GAAT1802
----------	----------	----------	----------

### 2ND DRAWER



GAAT0407	GCAT0801 GAAT1603
----------	----------------------

### 3RD DRAWER



GCAT2502	GCAT2402 GCAT7202
----------	----------------------

### 4TH DRAWER



GAAT0702	GAAT1205	GAAT2302	GCAT0701
----------	----------	----------	----------

### 5TH DRAWER



GBAT0303	GBAT0402	GBAT0401	GAAT0805
----------	----------	----------	----------

### 6TH DRAWER



GBAT0501	GAAT0811 GCAT1101
----------	----------------------

Kliknij na wybraną wkładkę i znajdź indywidualne narzędzie.

Indeks: GCAJ0033

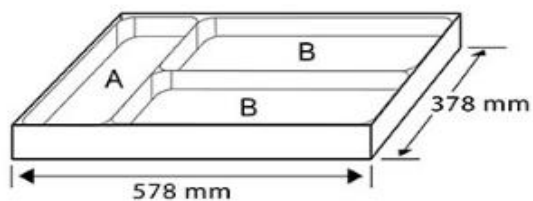
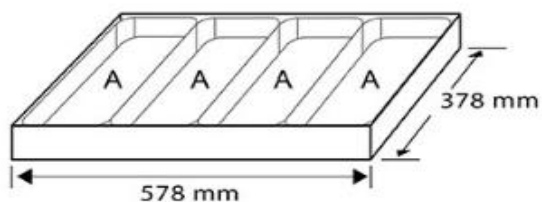
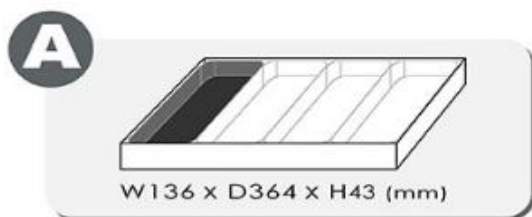
Indeks: GCAJ0034

Indeks: GCAJ0035

Indeks: GCAJ0036

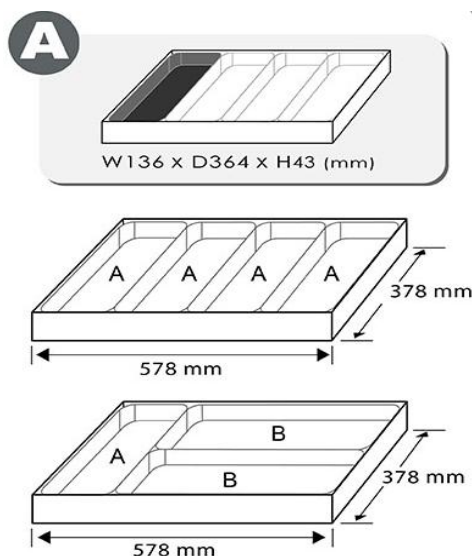
Item no.	Content / Zawartość	Size [mm]	L [mm]
GAAT0402	4	AAEI2123	21x23
		AAEI2426	24x26
		AAEI2528	25x28
		AAEI2732	27x32

Zam./Order





Item no.	Content / Zawartość	Size [mm]	Zam./Order
GAAT0802	8	AAEI0607	6x7
		AAEI0809	8x9
		AAEI1011	10x11
		AAEI1213	12x13
		AAEI1415	14x15
		AAEI1617	16x17
		AAEI1819	18x19
		AAEI2022	20x22





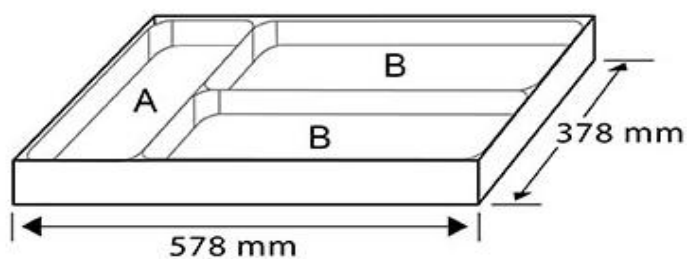
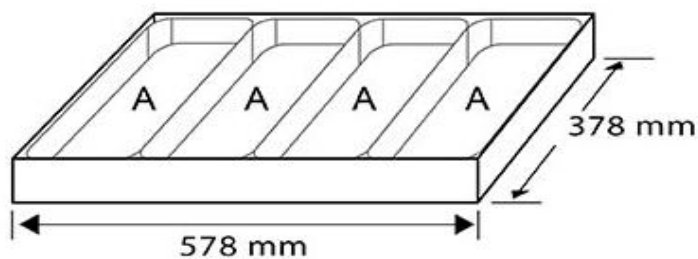
Item no.	Content / Zawiera	Size [mm]	Zam./Order
GAAT0406	4	AAEJ2123	21x23
		AAEJ2426	24x26
		AAEJ2528	25x28
		AAEJ2732	27x32



**A**



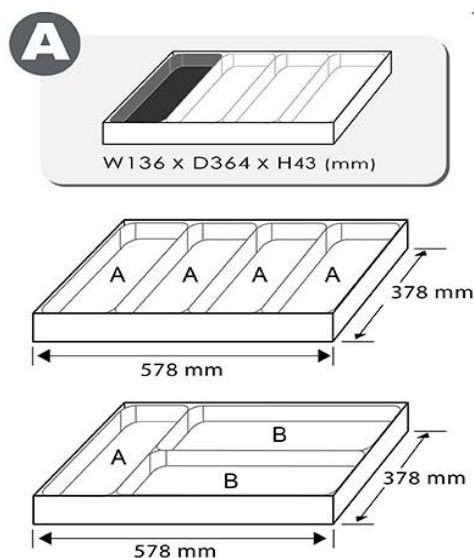
W136 x D364 x H43 (mm)







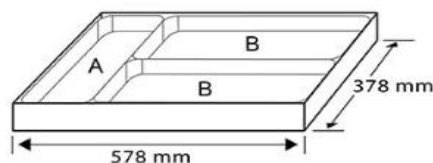
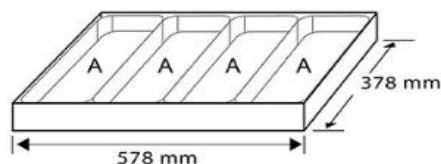
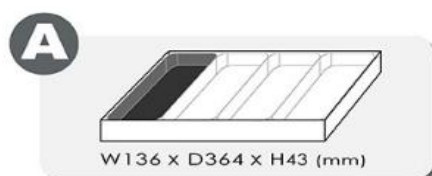
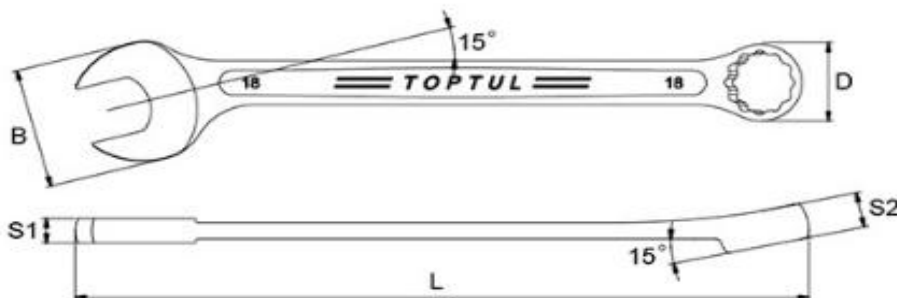
Item no.	Content / Zawiera			Zam./Order	
<b>GAAT1802</b>	<b>9</b>	<b>GAAL0910</b>	1.5, 2, 2.5, 3, 4, 5, 6, 8, 10 mm		
	<b>9</b>	<b>AAEJ0607</b>	6x7	mm	
		<b>AAEJ0809</b>	8x9	mm	
		<b>AAEJ1011</b>	10x11	mm	
		<b>AAEJ1213</b>	12x13	mm	
		<b>AAEJ1415</b>	14x15	mm	
		<b>AAEJ1617</b>	16x17	mm	
		<b>AAEJ1819</b>	18x19	mm	
		<b>AAEJ2022</b>	20x22	mm	
<b>AAEJ2224</b>	22x24	mm			





Item no.	Content / Zawartość	Size [mm]	L [mm]	
<b>GAAT0407</b>	<b>4</b>	<b>AAEW2727</b>	27	304
		<b>AAEW2929</b>	29	327
		<b>AAEW3030</b>	30	340
		<b>AAEW3232</b>	32	355

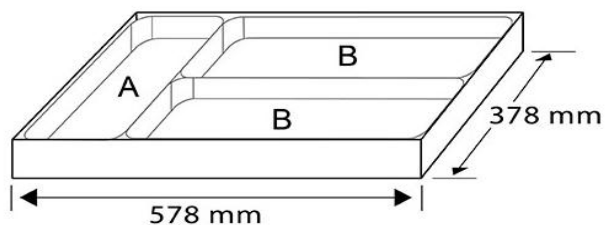
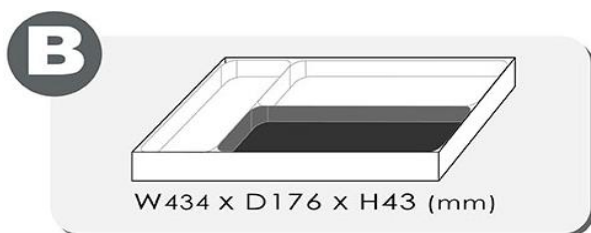
Zam./Order





Item no.	Content / Zawiera			
GCAT0801	1	AMAB2920	8"	Wrench
	6	GAAV0601	2x8x115, 3x8x125, 4x10x150, 5x10x165, 6x12x180, 8x12x180 mm	
	1	SAAA3013	12"	Hacksaw

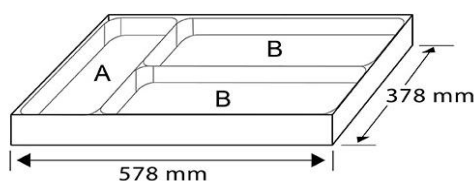
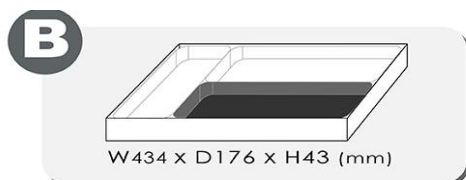
Zam./Order





Item no.	Content / Zawiera	Size [mm]	
GAAT1603	<b>16</b>	AAEW0606	6
		AAEW0707	7
		AAEW0808	8
		AAEW0909	9
		AAEW1010	10
		AAEW1111	11
		AAEW1212	12
		AAEW1313	13
		AAEW1414	14
		AAEW1515	15
		AAEW1616	16
		AAEW1717	17
		AAEW1818	18
		AAEW1919	19
		AAEW2222	22
AAEW2424	24		

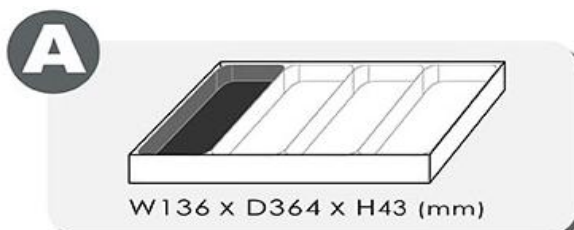
Zam./Order







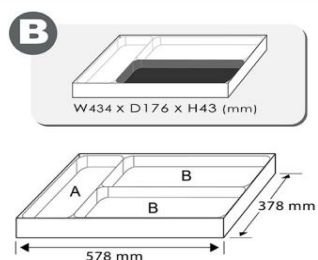
Item no.	Content / Zawiera	Size [mm]	L [mm]		Zam./Order	
GCAT2502 (6PT)	18	BAEA1206	6	-	3/8"	
		BAEA1207	7	-	3/8"	
		BAEA1208	8	-	3/8"	
		BAEA1209	9	-	3/8"	
		BAEA1210	10	-	3/8"	
		BAEA1211	11	-	3/8"	
		BAEA1212	12	-	3/8"	
		BAEA1213	13	-	3/8"	
		BAEA1214	14	-	3/8"	
		BAEA1215	15	-	3/8"	
		BAEA1216	16	-	3/8"	
		BAEA1217	17	-	3/8"	
		BAEA1218	18	-	3/8"	
		BAEA1219	19	-	3/8"	
		BAEA1220	20	-	3/8"	
		BAEA1221	21	-	3/8"	
		BAEA1222	22	-	3/8"	
		BAEA1224	24	-	3/8"	
	1	CAHA1254	-	54	3/8"	Joint
	2	CAAA1203	-	75	3/8"	Extension
		CAAA1206	-	150	3/8"	Extension
	2	BAAT1216	16	-	3/8"	
BAAT1221		21	-	3/8"		
1	CTCK1220	-	200	3/8"	T-handle	
1	CJBG1220	-	200	3/8"	36 teeth	







Item no.	Content / Zawiera	Size		
<b>GCAT2402 (6PT)</b>	<b>18</b>	<b>BAEA1608</b>	8 mm	
		<b>BAEA1609</b>	9 mm	
		<b>BAEA1610</b>	10 mm	
		<b>BAEA1611</b>	11 mm	
		<b>BAEA1612</b>	12 mm	
		<b>BAEA1613</b>	13 mm	
		<b>BAEA1614</b>	14 mm	
		<b>BAEA1615</b>	15 mm	
		<b>BAEA1616</b>	16 mm	
		<b>BAEA1617</b>	17 mm	
		<b>BAEA1619</b>	19 mm	
		<b>BAEA1621</b>	21 mm	
		<b>BAEA1622</b>	22 mm	
		<b>BAEA1623</b>	23 mm	
		<b>BAEA1624</b>	24 mm	
		<b>BAEA1627</b>	27 mm	
		<b>BAEA1630</b>	30 mm	
		<b>BAEA1632</b>	32 mm	
	<b>2</b>	<b>CAAA1605</b>	1/2"	5"(L)
		<b>CAAA1610</b>	1/2"	10"(L)
	<b>1</b>	<b>CTCK1625</b>	1/2"	
	<b>1</b>	<b>CAHA1678</b>	1/2"	
<b>1</b>	<b>CFAC1615</b>	1/2"	15"(L)	
<b>1</b>	<b>CJBM1627</b>	1/2"	W	

Zam./Order

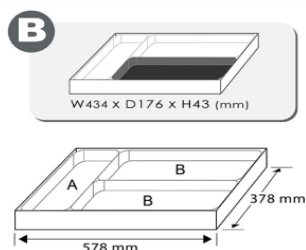




Item no.	Content / Zawiera				Zam./Order	
GCAT7202 (6PT)  1/1	13	BAEA0804	4	mm	1/4"	
		BAEA084E	4.5	mm	1/4"	
		BAEA0805	5	mm	1/4"	
		BAEA08E5	5.5	mm	1/4"	
		BAEA0806	6	mm	1/4"	
		BAEA0807	7	mm	1/4"	
		BAEA0808	8	mm	1/4"	
		BAEA0809	9	mm	1/4"	
		BAEA0810	10	mm	1/4"	
		BAEA0811	11	mm	1/4"	
		BAEA0812	12	mm	1/4"	
		BAEA0813	13	mm	1/4"	
		BAEA0814	14	mm	1/4"	
		13	BAEE0804	4	mm	1/4"
	BAEE084E		4.5	mm	1/4"	
	BAEE0805		5	mm	1/4"	
	BAEE08E5		5.5	mm	1/4"	
	BAEE0806		6	mm	1/4"	
	BAEE0807		7	mm	1/4"	
	BAEE0808		8	mm	1/4"	
	BAEE0809		9	mm	1/4"	
	BAEE0810		10	mm	1/4"	
	BAEE0811		11	mm	1/4"	
	BAEE0812		12	mm	1/4"	
	BAEE0813		13	mm	1/4"	
	BAEE0814		14	mm	1/4"	
	7 		BCDA082E	2.5	mm	1/4"
		BCDA0803	3	mm	1/4"	
		BCDA0804	4	mm	1/4"	
		BCDA0805	5	mm	1/4"	
		BCDA0806	6	mm	1/4"	
		BCDA0807	7	mm	1/4"	
		BCDA0808	8	mm	1/4"	
	6 	BCCA0803	3	mm	1/4"	
		BCCA0804	4	mm	1/4"	
		BCCA084E	4.5	mm	1/4"	
		BCCA085E	5.5	mm	1/4"	
		BCCA086E	6.5	mm	1/4"	
	BCCA0808	8	mm	1/4"		



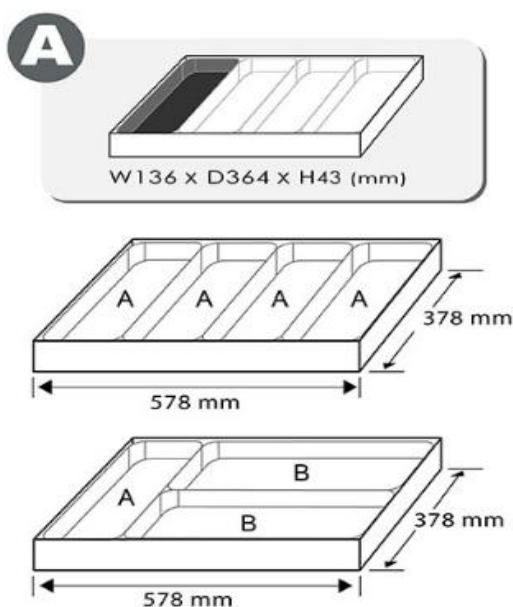
Item no.	Content / Zawiera				Zam./Order	
GCAT7202 (6PT)  1/2	5	+	BCAA08P0	PH0		1/4"
			BCAA08P1	PH1		1/4"
			BCAA08P2	PH2		1/4"
			BCAA08P3	PH3		1/4"
			BCAA08P4	PH4		1/4"
	4	+	BCBA08P0	PZ0		1/4"
			BCBA08P1	PZ1		1/4"
			BCBA08P2	PZ2		1/4"
			BCBA08P3	PZ3		1/4"
	8	○	BCFA0808	T8		1/4"
			BCFA0810	T10		1/4"
			BCFA0815	T15		1/4"
			BCFA0820	T20		1/4"
			BCFA0825	T25		1/4"
			BCFA0827	T27		1/4"
			BCFA0830	T30		1/4"
			BCFA0840	T40		1/4"
	1		CJBM0815		72-Tooth	1/4"
	3		CAAA0802	2"	(L)	1/4"
			CAAA0804	4"	(L)	1/4"
			CAAA0806	6"	(L)	1/4"
	1		CTCK0811		T-handle	1/4"
	1		CAHA0840		Joint	1/4"
1		CAIA0815		Handle	1/4"	
9		GAAL0916	1.5, 2, 2.5, 3, 4, 5, 6, 8, 10 mm			







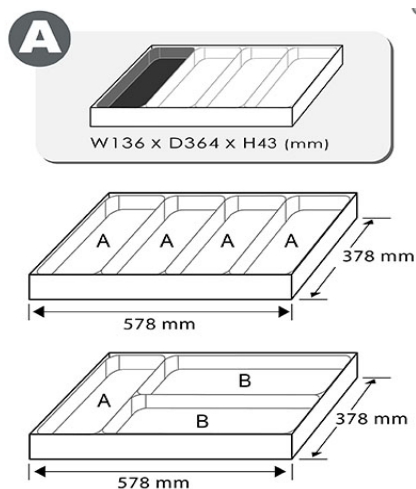
Item no.	Content / Zawartość	Size [mm]	Zam./Order
GAAT0702	7	AEEC0607	6x7
		AEEC0809	8x9
		AEEC1011	10x11
		AEEC1213	12x13
		AEEC1415	14x15
		AEEC1617	16x17
		AEEC1819	18x19





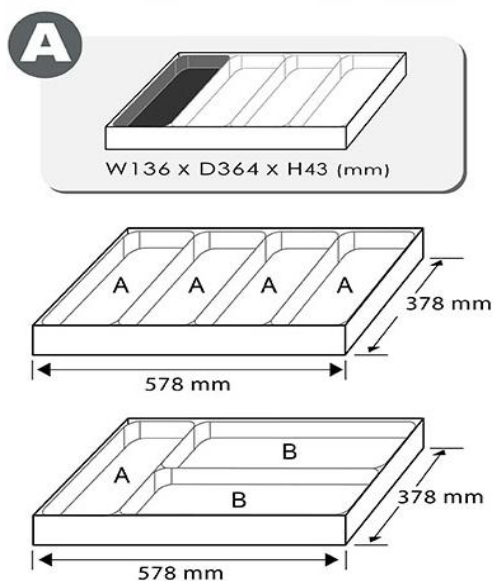
Item no.	Content / Zawiera	Size	
<b>GAAT1205</b>	<b>12</b>	<b>ABAF0808</b>	8 mm
		<b>ABAF0909</b>	9 mm
		<b>ABAF1010</b>	10 mm
		<b>ABAF1111</b>	11 mm
		<b>ABAF1212</b>	12 mm
		<b>ABAF1313</b>	13 mm
		<b>ABAF1414</b>	14 mm
		<b>ABAF1515</b>	15 mm
		<b>ABAF1616</b>	16 mm
		<b>ABAF1717</b>	17 mm
		<b>ABAF1818</b>	18 mm
		<b>ABAF1919</b>	19 mm

Zam./Order





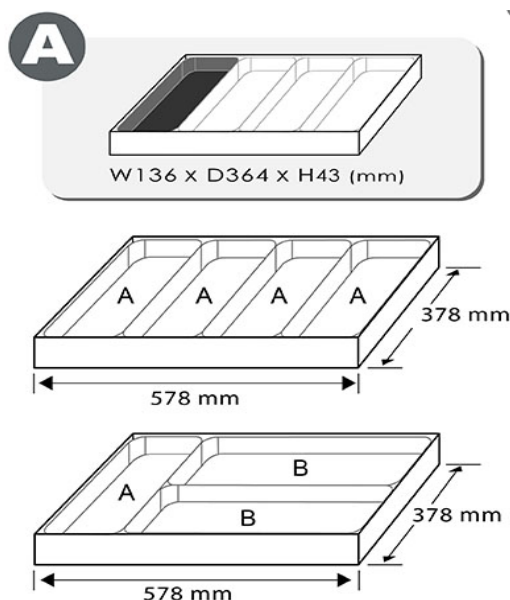
Item no.	Content / Zawiera	Size	L [mm]		Zam./Order	
GAAT2302	4	BAED0804	E4	-	1/4"	
		BAED0805	E5	-	1/4"	
		BAED0806	E6	-	1/4"	
		BAED0808	E8	-	1/4"	
	6	BAED1610	E10	-	1/2"	
		BAED1612	E12	-	1/2"	
		BAED1614	E14	-	1/2"	
		BAED1616	E16	-	1/2"	
		BAED1618	E18	-	1/2"	
		BAED1620	E20	-	1/2"	
	4	AAEE0608	E6xE8	113	-	
		AAEE1012	E10xE12	142	-	
		AAEE1418	E14xE18	181	-	
AAEE2024		E20xE24	224	-		
9	GAAL0913	T10, T15, T20, T25, T27, T30, T40, T45, T50				





Item no.	Content / Zawiera		
GCAT0701	5	GAAV0501	Pin Punch: 4x10x150 mm Cape Chisel: 5x10x130 mm Cold Chisel: 12x10x130 mm Taper Punch: 3x10x120 mm Center Punch: #2x10x120 mm
	1	HAAA0330	300 g
	1	HAAB1038	16 oz

Zam./Order







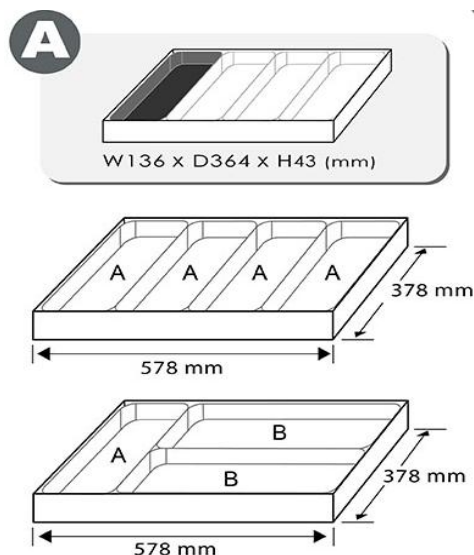
Item no.	Content / Zawiera	Zam./Order
GBAT0303	<b>1</b> DAAQ1A10	
	<b>1</b> DDBA2210	
	<b>1</b> AMAA3325	

DDBA2210

DAAQ1A10



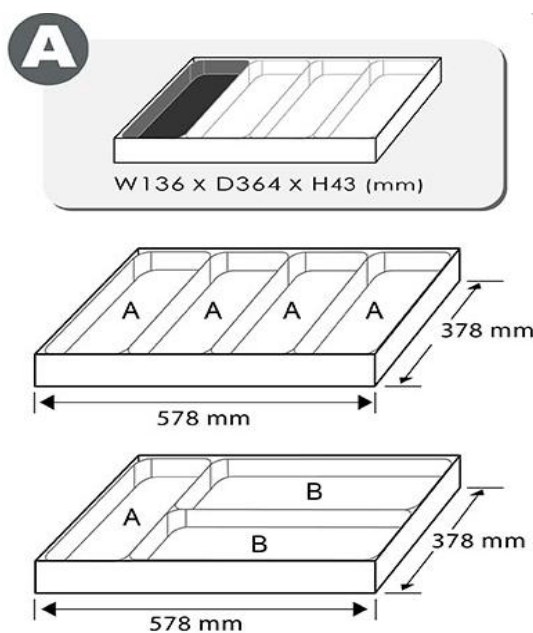
AMAA3325





Item no.	Content / Zawiera	
GBAT0402	1	DBBB2207
	1	DEBC2207
	1	DFBB2208
	1	DFBA2208

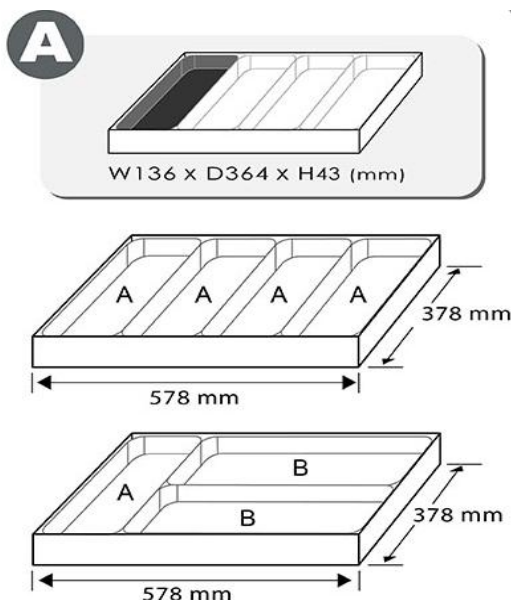
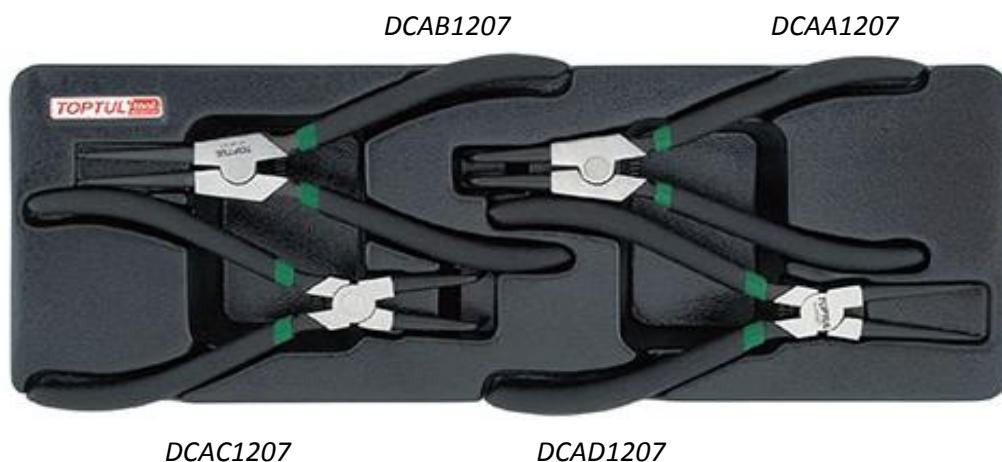
Zam./Order







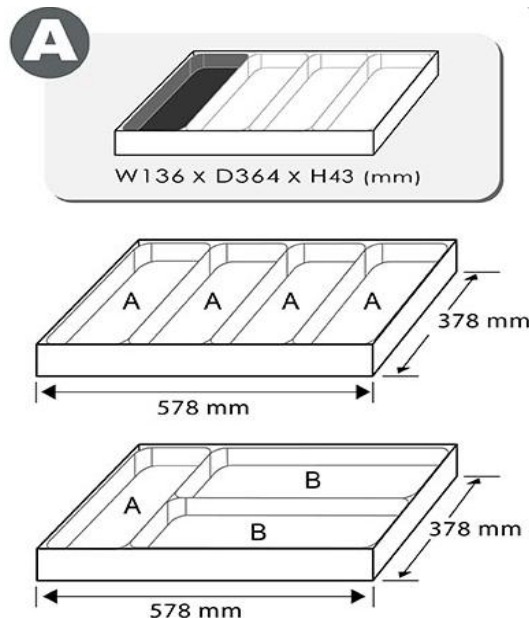
Item no.	Content / Zawiera	
GBAT0401	1	DCAA1207
	1	DCAB1207
	1	DCAC1207
	1	DCAD1207

Zam./Order





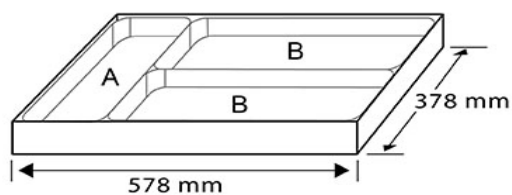
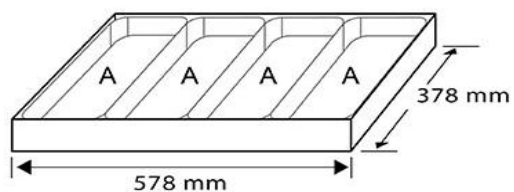
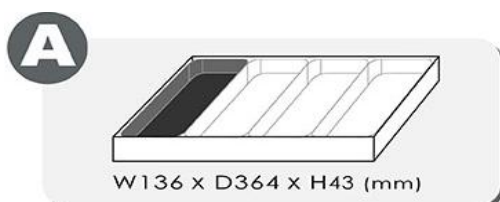
Item no.	Content / Zawiera	Size	L [mm]	Zam./Order	
GAAT0805	3 	FBAB0108	PH1	80	
		FBAB0210	PH2	100	
		FBAB0315	PH3	150	
	1	FBBB0203	PH2	25	
	3 	FAAB0410	4 mm	100	
		FAAB5E10	5.5 mm	100	
		FAAB6E10	6.5 mm	150	
1	FABB6E03	6.5 mm	25		



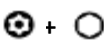




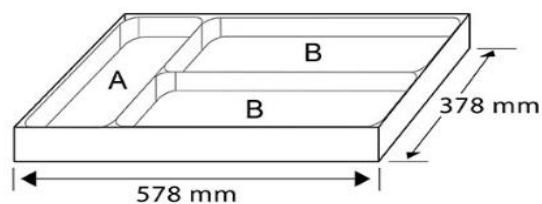
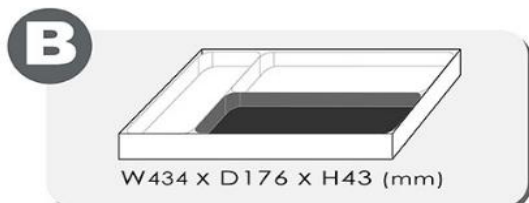
Item no.	Content / Zawiera	L	Zam./Order
GBAT0501	1	SDBB0821	8"
	1	HBAF0130	8"
	1	ICAC0122	8"
	1	ICAB0124	8"
	1	ICAA0020	8"





Item no.	Content / Zawiera		
<b>GAAT0811</b> 	<b>8</b>	AGCD0214	2x140
		AGCD2E14	2.5x140
		AGCD0314	3x140
		AGCD0414	4x140
		AGCD0520	5x203
		AGCD0620	6x203
		AGCD0827	8x265
		AGCD1027	10x265

Zam./Order





Item no.	Content / Zawiera		Zam./Order
GCAT1101	1	SBAA0414	Electrician scissors
	1	HBAF0130	Auto center punch
	1	ICAC0122	SAE
	1	ICAB0124	Metric
	1	ICAA0020	Metric
	1	IAAA0005	5 m
	1	SCAA2017	Knife
	1	IDAA0208	Scriber
	1	IACA0150	Caliper
	1	IBAA0150	Protractor
	1	IABA0300	Ruler 30 cm

